



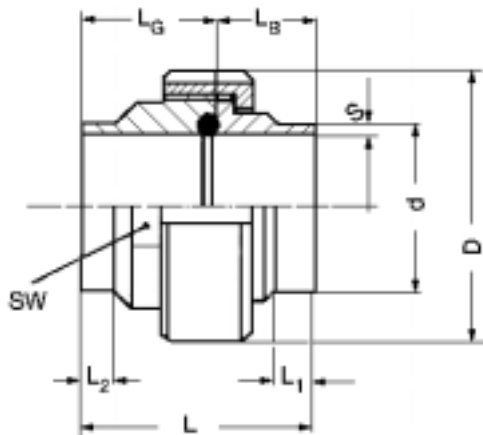
DIN

NAUE GmbH

Sondermaschinen - und Filterbau

Am Rotböhl 5
64331 Weiterstadt
www.naue.de

Tel. 0 61 50 / 97 38 - 0
Fax. 0 61 50 / 70 18
Info@naue.de



Sterilverschraubung

Material	Gewindestutzen	1.4404 / 316 L
	Bundstutzen	1.4404 / 316 L
	Mutter	1.4301 / 304

Andere Werkstoffe und Abmessungen auf Anfrage

STANDARD-SCHWEISS-AUSFÜHRUNG

metrisches Gewinde											Rundgewinde	
DN	d ISO	D	L	L ₁	L ₂	I _B	L _G	SW	O-Ring	Bestell-Nr.	D	Bestell-Nr.
4	6,0 x 1,0		33	6	5	15	18		4,0 x 2,0	05-11999		-----
6	8,0 x 1,0	SW 19	33	6	5	15	18	10	6,0 x 2,5	05-12000		05-14000
8	10,0 x 1,0	SW 22	33	6	5	15	18	13	8,0 x 2,5	05-12001		05-14001
10	12,0 x 1,0	SW 27	33	6	5	15	18	17	10,5 x 2,5	05-12002		05-14002
15	18,0 x 1,5	SW 32	36	6	5	16	20	19	15,0 x 3,0	05-12004		05-14004
20	22,0 x 1,5	Ø 40	40	12	6	18	22		20,0 x 3,0	05-12005		05-14005
25	28,0 x 1,5	Ø 49	42	12	6	19	23		25,0 x 3,0	05-12006		05-14006
32	34,0 x 1,5	Ø 52	45	12	6	21	24		30,0 x 3,0	05-12007		05-14007
40	40,0 x 1,5	Ø 62	45	12	6	21	24		39,0 x 3,0	05-12008		05-14008
50	52,0 x 1,5	Ø 77	47	12	9	22	25		50,0 x 3,0	05-12009		05-14009
65	70,0 x 2,0	Ø 105	70	12	12	31	39		66,0 x 4,0	05-12010		05-14010
80	85,0 x 2,0	Ø 115	70	12	12	31	39		81,0 x 4,0	05-12011		05-14011
100	104,0 x 2,0	Ø 140	70	12	12	31	39		100,0 x 4,0	05-12012		05-14012
150	154,0 x 2,0	Ø 195	70	12	12	31	39		150,0 x 4,0	05-12013		05-14013

UNIVERSAL-ORBITAL-SCHWEISS-AUSFÜHRUNG

Metrisches Gewinde											Rundgewinde	
DN	d ISO	D	L	L ₁	L ₂	I _B	L _G	SW	O-Ring	Bestell-Nr.	D	Bestell-Nr.
4	6,0 x 1,0		53	16	16	25	28		4,0 x 2,0	05-12024		-----
6	8,0 x 1,0	SW 19	53	16	16	25	28	10	6,0 x 2,5	05-12025		05-14025
8	10,0 x 1,0	SW 22	53	16	16	25	28	13	8,0 x 2,5	05-12026		05-14026
10	12,0 x 1,0	SW 27	53	16	16	25	28	17	10,5 x 2,5	05-12027		05-14027
15	18,0 x 1,5	SW 32	53	16	16	25	28	19	15,0 x 3,0	05-12029		05-14029
20	22,0 x 1,5	Ø 40	53	16	16	25	28		20,0 x 3,0	05-12030		05-14030
25	28,0 x 1,5	Ø 49	55	16	16	25	30		25,0 x 3,0	05-12031		05-14031
32	34,0 x 1,5	Ø 52	55	16	16	25	30		30,0 x 3,0	05-12032		05-14032
40	40,0 x 1,5	Ø 62	60	16	16	28	32		39,0 x 3,0	05-12033		05-14033
50	52,0 x 1,5	Ø 77	60	16	16	28	32		50,0 x 3,0	05-12034		05-14034
65	70,0 x 2,0	Ø 105	75	16	16	31	44		66,0 x 4,0	05-12035		05-14035
80	85,0 x 2,0	Ø 115	75	16	16	31	44		81,0 x 4,0	05-12036		05-14036
100	104,0 x 2,0	Ø 140	103	30	16	45	58		100,0 x 4,0	05-12037		05-14037
150	154,0 x 2,0	Ø 195	103	30	16	45	58		150,0 x 4,0	05-12038		05-14038

Änderungen vorbehalten